

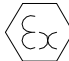
- 15 Watt Loudspeaker
- 70V or 100V Line Transformer with 15W, 7.5W, 3W and 1W tapings
- 8 ohm or 16 ohm
- Operating Temperature Range -20°C to +55°C

WARNING – TO AVOID A POSSIBLE ELECTROSTATIC CHARGE ONLY CLEAN THE UNIT WITH A DAMP CLOTH

E2xL15EG Loudspeaker 70V and 100V PCB Layout

Unit Type No. E2xL15EG

Impedance: 8 ohm or 16 ohm
70V Line or 100V Line

 II 3G EEx nA II T4 (Tamb. -20°C to +55°C)

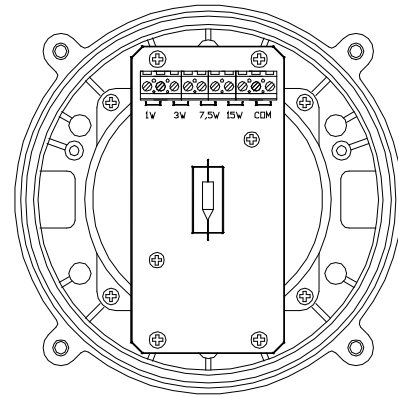
Certificate No. DEMKO 06 ATEX 0421554

Group/Category: II 3G

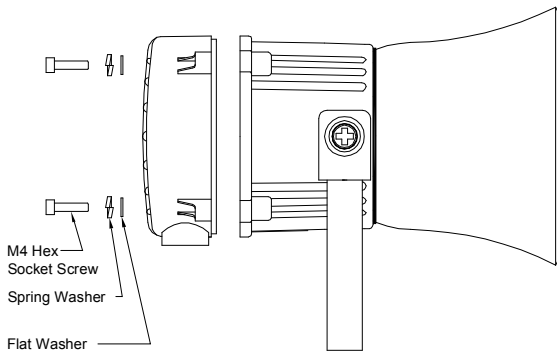
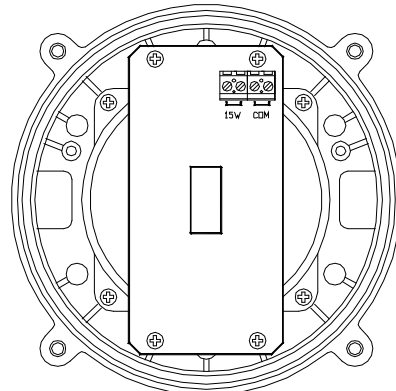
Zone: Zone 2

PRE-INSTALLATION

The E2xL15EG loudspeakers must be installed in accordance with the relevant parts of the EN60079 standards or the equivalent IEC standards.



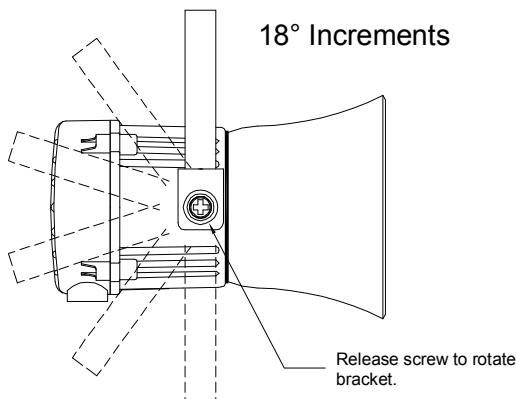
E2xL15EG Loudspeaker 8 ohm and 16 ohm PCB Layout



WARNING – DO NOT OPEN WHEN ENERGISED

MOUNTING

The E2xL15EG loudspeaker must be mounted using the rotating bracket as shown.



WIRING

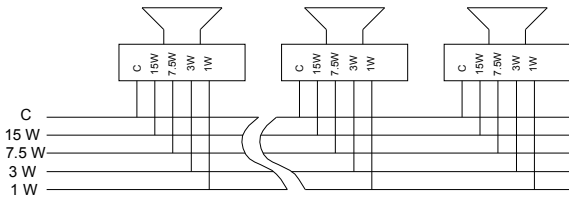
The E2xL15EG loudspeaker has two M20 cable entries one of which is fitted with an M20 blanking plug. This should be removed if two cable entries are required. Cable entry devices shall be used which ensure a minimum ingress protection of IP54.

The cable connections are made to the terminal blocks on the pcb assembly in the enclosure.

WARNING - ALL ELECTRICAL WIRING MUST BE INSTALLED IN ACCORDANCE WITH THE RELEVANT STANDARDS AND ANY LOCAL CODES THAT MAY APPLY

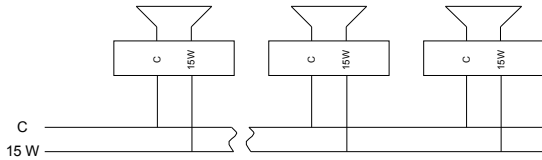
100V and 70V Loudspeakers

Common	Com
15 Watts	15W
7.5 Watts	7.5W
3 Watts	3W
1 Watt	1W



8 ohm and 16 ohm Loudspeakers

Common	Com
15 Watts	15W



POWER AMPLIFIER SELECTION

It is important that the E2xL15EG loudspeakers are connected to power amplifiers that have outputs that are compatible to the type of loudspeaker being used. Loudspeakers with a 70V or 100V line matching transformer fitted must be connected to a power amplifier with a 70V or 100V line output. Low impedance 8 ohm or 16 ohm loudspeakers must be connected to amplifiers with a suitable low impedance output.

Unit Type	Input	Wattage	Max. I/P Volts
E2xL15EG	8 ohm	15 Watt	10.95V
E2xL15EG	16 ohm	15 Watt	15.49V
E2xL15EG	100V Line	15 Watt	100V
E2xL15EG	70V Line	15 Watt	70V

WARNING – HIGH VOLUME MAY CAUSE HARM TO PERSONNEL IN CLOSE PROXIMITY